



**AGS INC**

9950 W. 190th Street • Mokena, IL 60448  
Ph: (708) 479-9458 • Fax: (708) 479-9478

# Architectural Grilles & Sunshades, Inc.

## HOW TO ORDER LIGHTSHELVES

### Standard Light Shelf Make- Up

1. Continuous Attachment – 2 ½” Tall Bone White\*\*
2. Top and Bottom Bone White\*\* ACM Panel
3. Fascia Trim – See Illustration A
  - A. Rectangular
  - B. Bullnose
  - C. Bullet
  - D. Custom



\*\*Bone White standard finish to match drop ceiling  
Custom colors are available

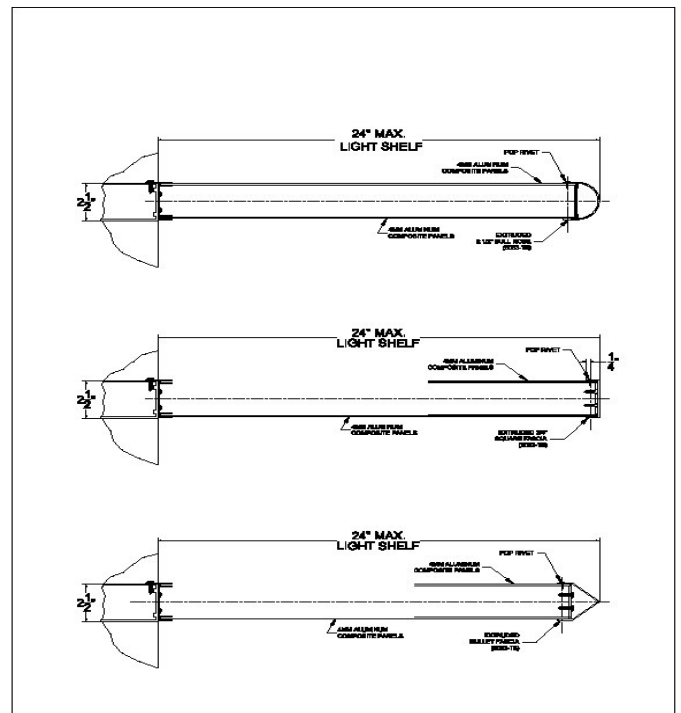


Illustration A